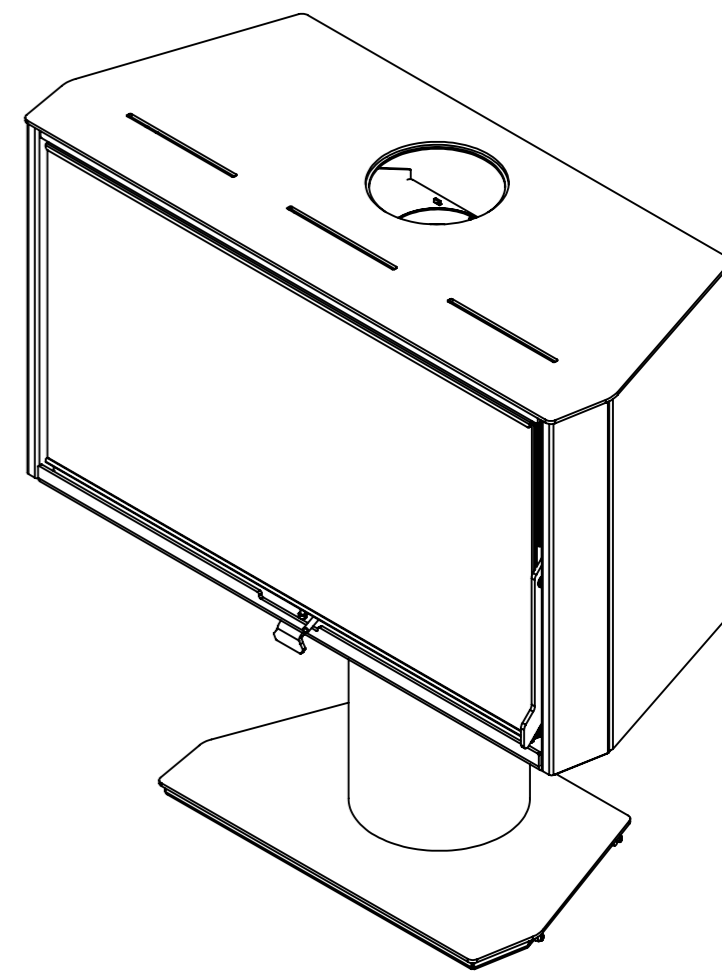
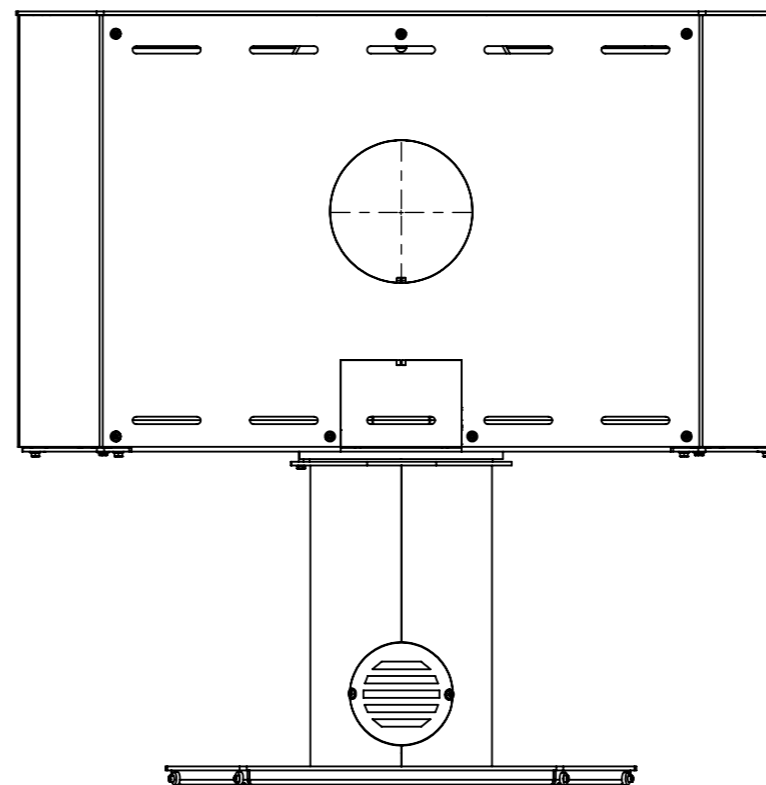
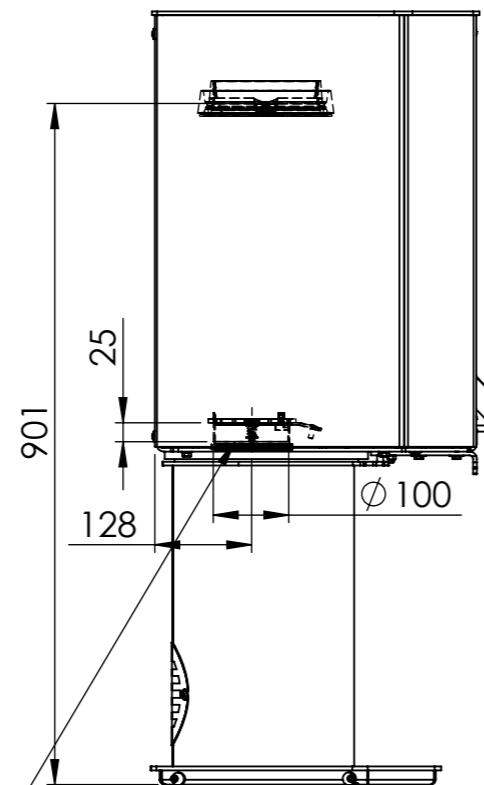
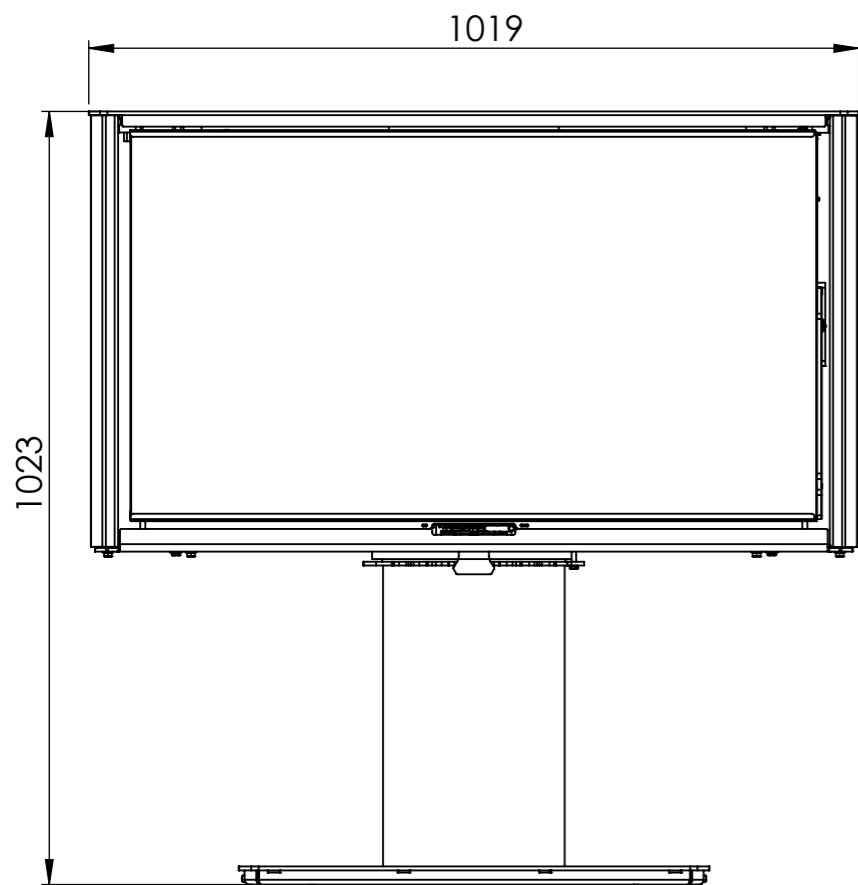
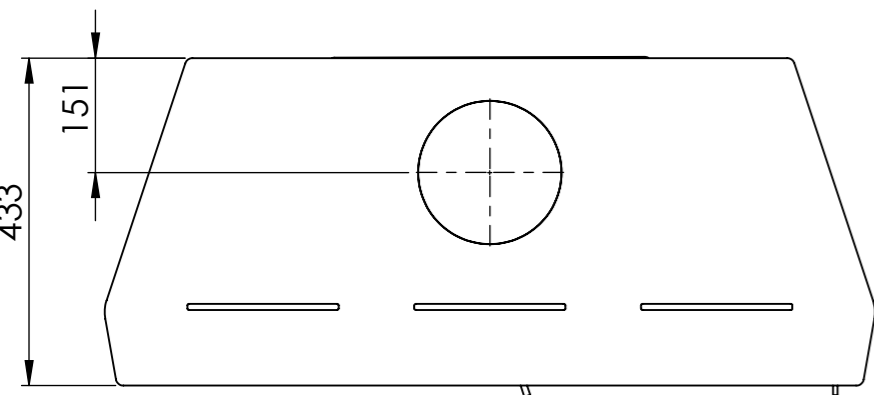




Serie	Scan-Line 100
Description	Scan-Line 100 Turnable pedestal



External fresh air from below  
1515-0013 (Not included)



External fresh air from below  
1515-0012 (Not included)

